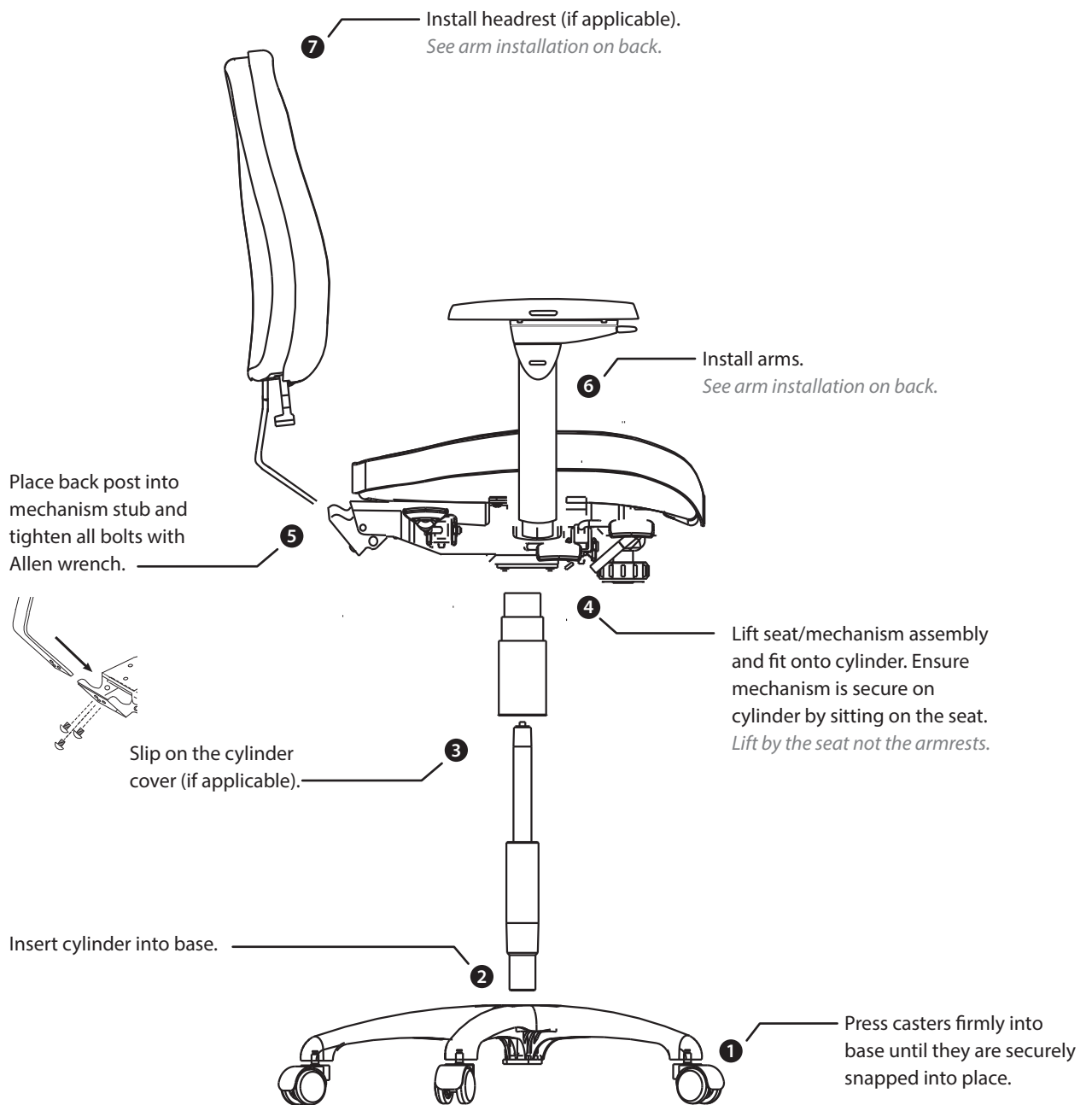


Tools: 3/16" Allen wrench (included)
People: 1 Person
Time : 5 - 10 minutes



5-way 360° Arm

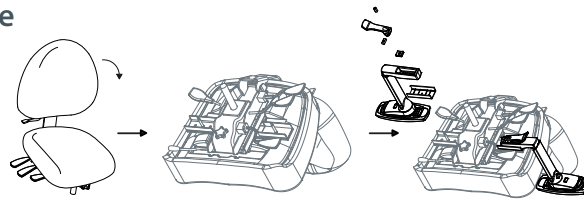
Tools Allen wrench (included) or 10mm Socket

People 1 Person

Time 8 - 10 minutes

Preparation Guide

Turn chair upside down on work surface for access to the arm brackets.



Remove the lever release hardware using the allen wrench or 10mm socket. **Do not remove tape that secures the hardware together until after final step of installation.**

Installation Guide



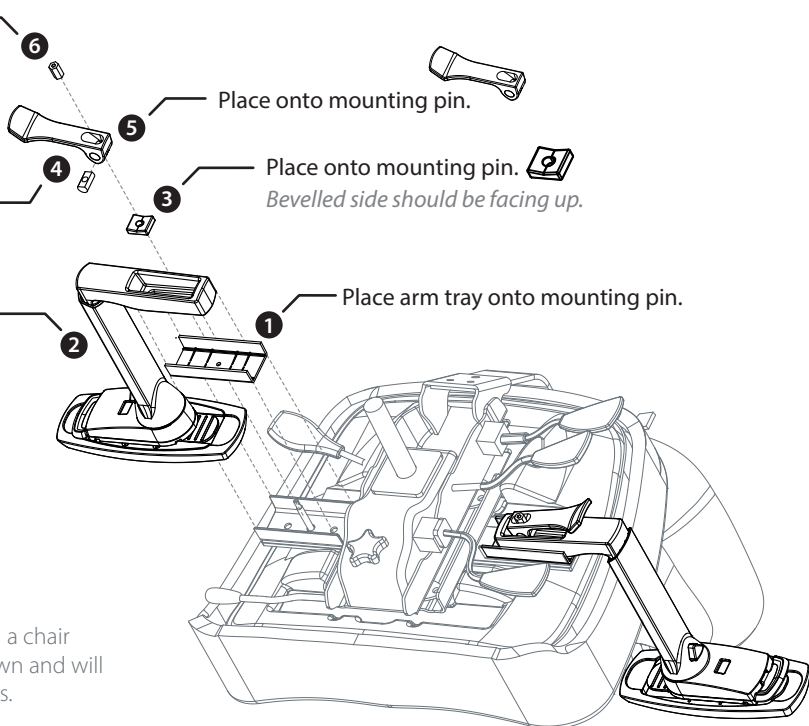
Slightly tighten nut. Lift lever and continue to tighten until proper tension is reached.

Proper tension allows arms to lock into position and adjust freely when unlocked.



Place inside the lever. *Flat surface should be facing up.*

Align the arm onto plastic guide tray. *Button should be facing towards backrest.*



The 5-way 360° arms will only install on a chair mechanism with the arm brackets shown and will not retrofit older Neutral Posture® chairs.

Headrest

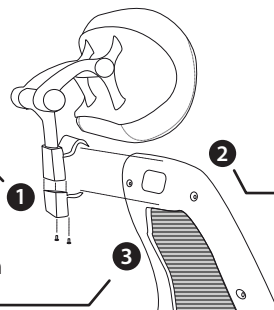
Tools Phillips screwdriver

People 1 Person

Time 5 - 10 minutes

Place screws in the spaces under the bottom lip and combine w/upper section.

Tighten screws using Phillips screwdriver until headrest is secured on the back of the chair.



Slide headrest onto back of chair.

United States – Bryan, Texas
T 979.778.0502 F 979.778.0408 • NeutralPosture.com

Canada – Cambridge, Ontario
T 519.650.3005 F 519.650.3006 • NeutralPosture.ca